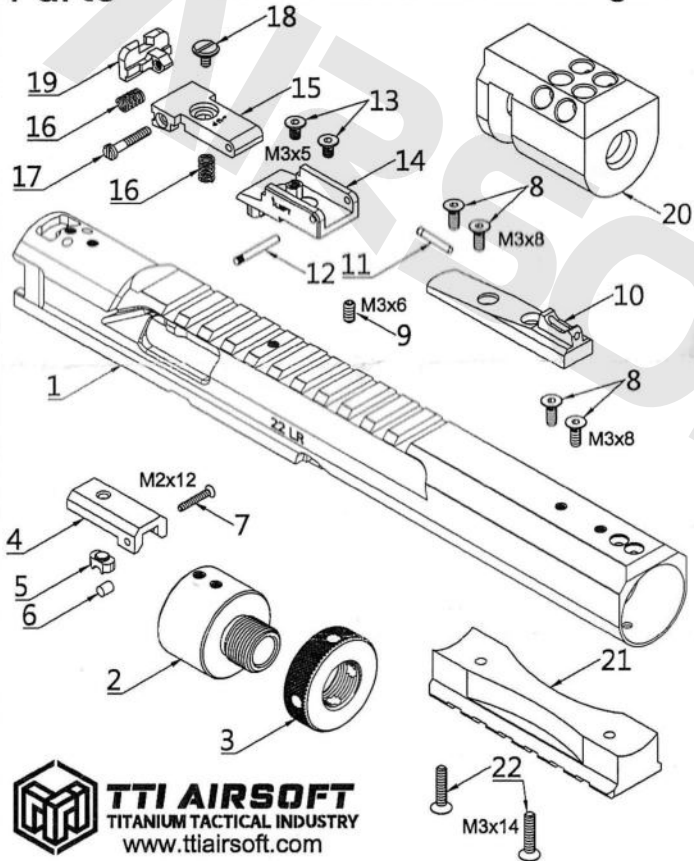


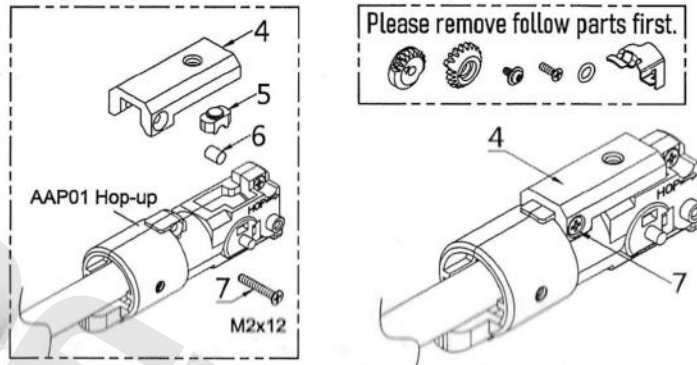
AAP01 6 INCH SCORPION CNC UPPER RECEIVER

Parts

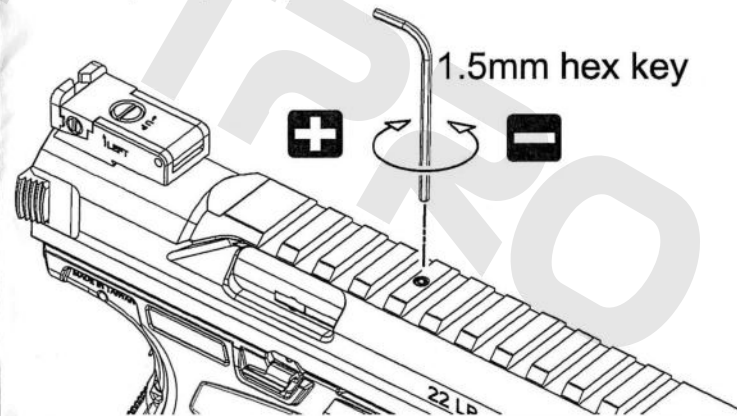
Note: Please use screw glue



Hop-up chamber installation



TDC hop-up adjustment



TTI AIRSOFT
TITANIUM TACTICAL INDUSTRY
www.ttiairsoft.com